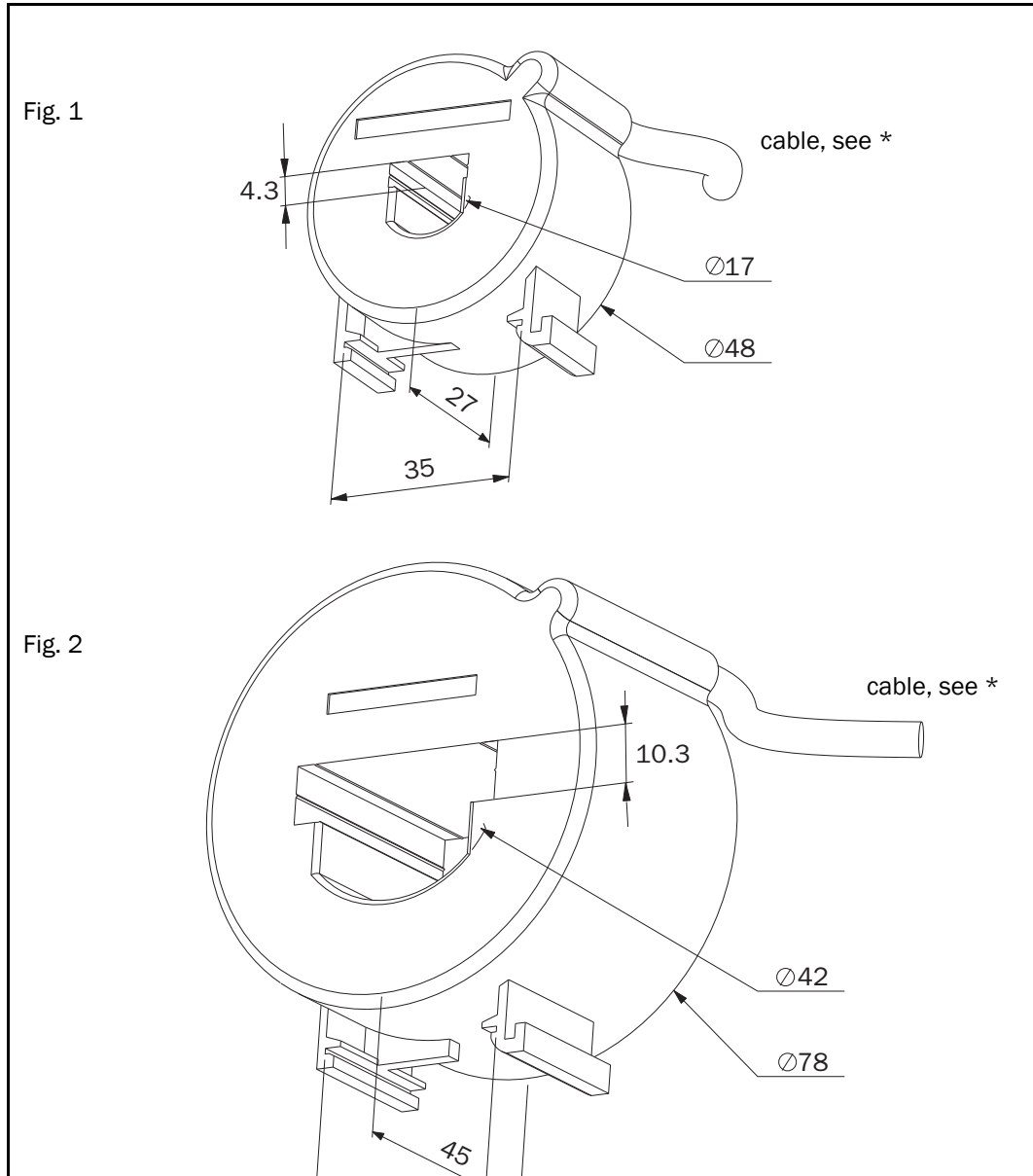


# EL-FI CTM

## Current Transformer Monitor

(FOR MOUNTING ON STANDARD DIN-RAIL 35MM)



\* Cable length supplied, in meter (m) : 1.0

Fig.	Type	I prim	I sec.	Part number	Suitable to;
1	CTM010	10A	0.055A	01-2471-10	M10, M20, DCM
1	CTM025	25A	0.055A	01-2471-20	M10, M20, DCM
1	CTM050	50A	0.055A	01-2471-30	M10, M20, DCM
2	CTM100	100A	0.055A	01-2471-40	M10, M20, DCM